

# Let's build an astrometric Cubesat

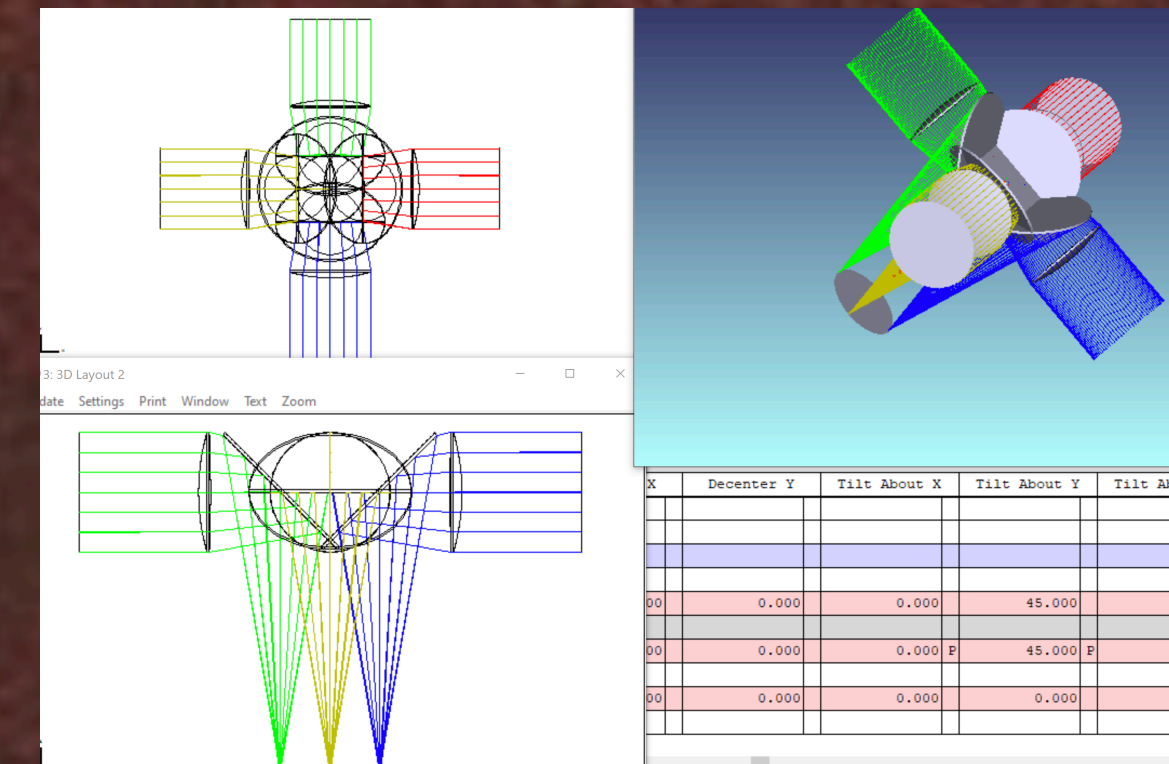
- Physics and metrology experiments in low atmosphere
- Innovative concepts demonstration for Cubesat like satellites
- Laboratory experiments
- Realizzazione di esperimenti in laboratorio
- Extreme astrometry applied to flying experiments
- End to end design

Contact:

Alberto Riva

[alberto.riva@inaf.it](mailto:alberto.riva@inaf.it)

+39 011 8101936



Multidisciplinary team